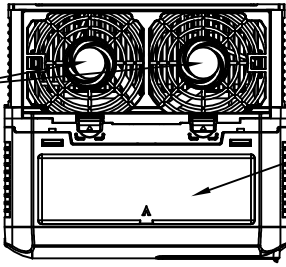
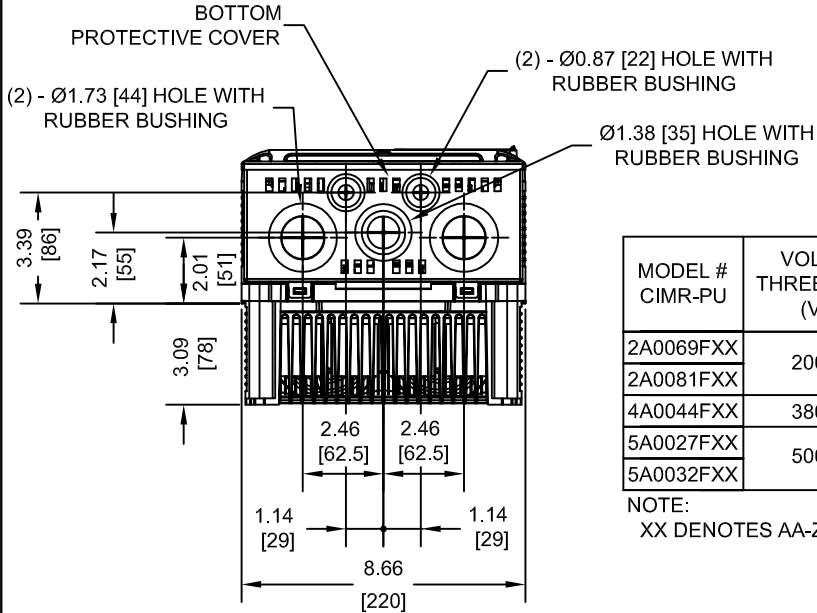
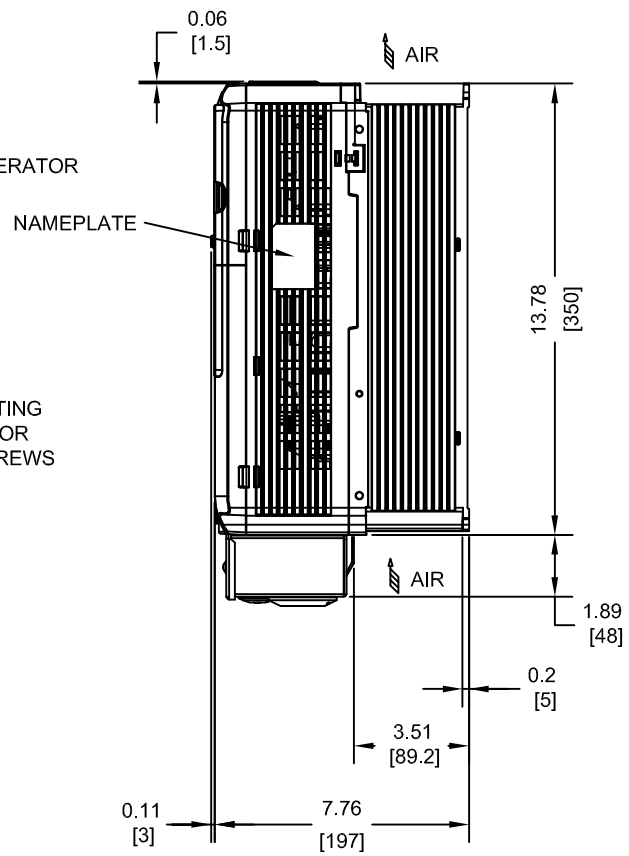
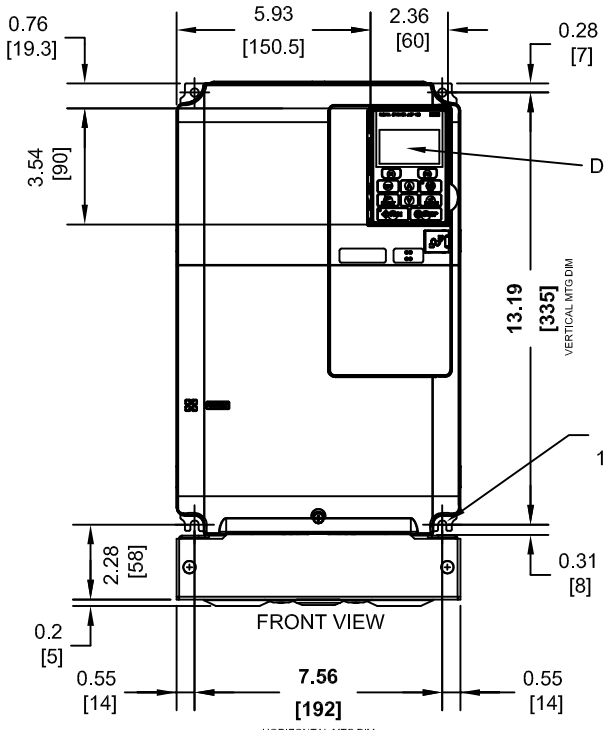


(2) EXTERNAL COOLING FANS



TOP PROTECTIVE COVER

NOTE:
 PROTECTIVE COVERS ARE FACTORY INSTALLED TO THE TOP AND BOTTOM OF THE DRIVE TO MEET IP20 & NEMA TYPE 1 REQUIREMENTS, RESULTING IN AN AMBIENT TEMPERATURE RATING OF 104F(40C). REMOVE THESE COVERS WHEN OPERATING THE DRIVE WITHIN A PANEL TO OBTAIN THE MAXIMUM SURROUNDING AIR TEMPERATURE RATING OF 122F(50C). REMOVING THESE COVERS RESULTS IN AN ENCLOSURE RATING OF IP00.



MODEL # CIMR-PU	VOLTAGE THREE-PHASE (VAC)	OUTPUT CURRENT (A)	WEIGHT LBS (Kg)	HEAT LOSS (W) (Fc=2kHz)		
				INT	EXT	TOT
2A0069FXX	200/240	69.0	20.0 (9.1)	204.5	491.3	695.7
2A0081FXX		81.0	22.0 (10.0)	257.4	527.4	784.9
4A0044FXX	380/480	44.0	19.1 (8.7)	208.9	389.6	598.5
5A0027FXX	500/600	27.0	19.1 (8.7)	227.2	132.1	359.3
5A0032FXX		32.0	19.1 (8.7)	279.9	141.6	421.5

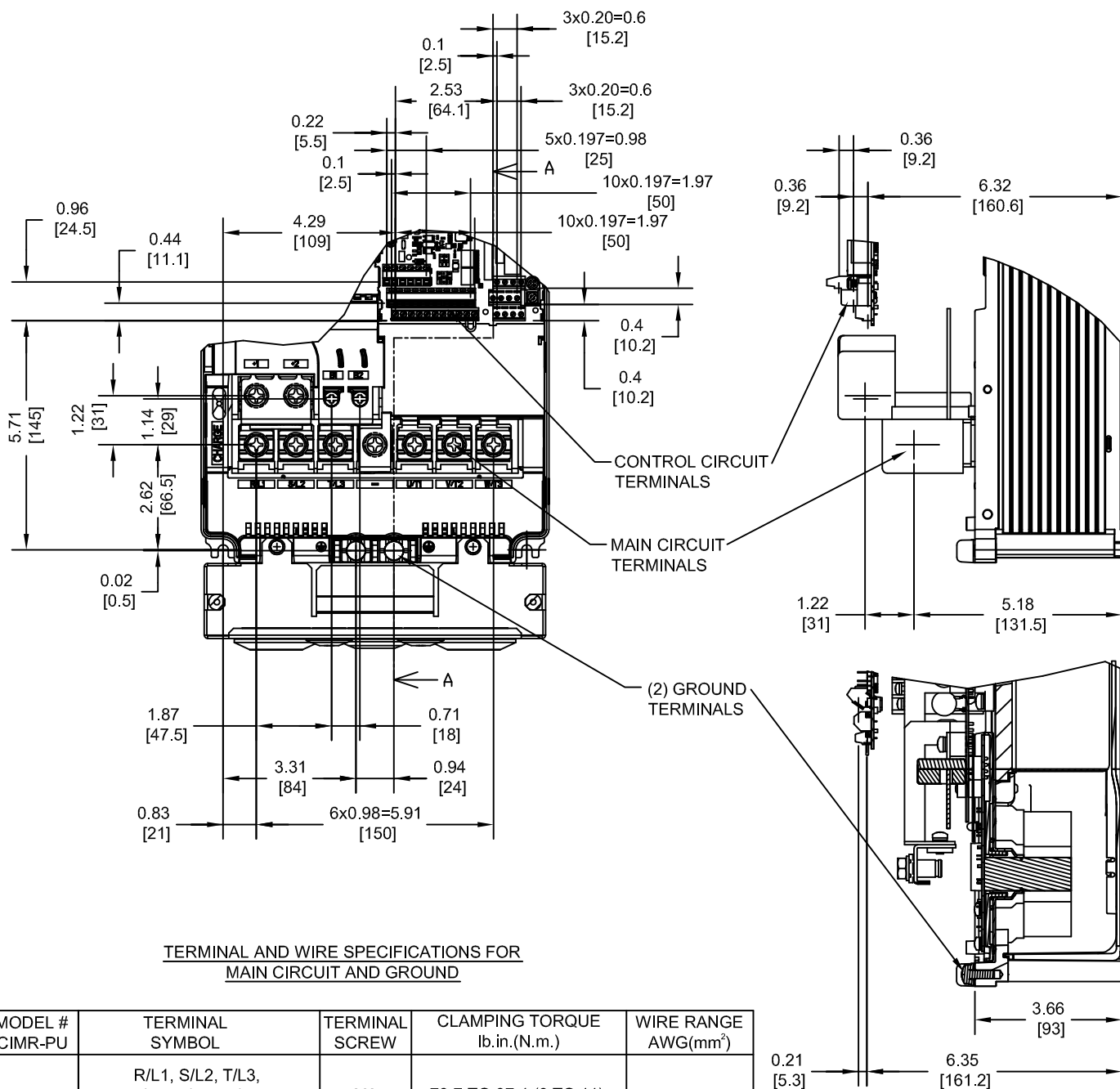
NOTE:
 XX DENOTES AA-ZZ

INT=INTERNAL COMPONENTS
 EXT=EXTERNAL HEATSINK
 TOT=TOTAL

FOR ADDITIONAL DETAILS AND SPECIFICATIONS, CONSULT MANUAL

TOLERANCES / REFERENCES:		<p>THIS DOCUMENT AND INFORMATION CONTAINED IN IT ARE CONFIDENTIAL, AND CANNOT BE COPIED OR DISCLOSED IN WHOLE OR IN PART WITHOUT THE EXPRESS WRITTEN CONSENT OF YASKAWA AMERICA, INC.</p>	DRAWN: J. MATTAS DATE: 12-9-11	TITLE: P1000 DIMENSION DRAWING FRAME SIZE 6 NEMA TYPE 1 ENCLOSURE 2A0069, 2A0081, 4A0044, 5A0027, 5A0032
			CHECKED: J. PIOTROWSKI DATE: 1-5-12	SIZE: A REVISION: R00 PAGE: 1 of 4
			TECH: J. BORJA DATE: 1-9-12	
			APPROVED: J. CAIRO DATE: 1-10-12	
UNITS: IN [mm]	SCALE: 1:6	ORIGINAL DESIGN: -	DATE: -	DRAWING #: DD.P1K.FR6.N1

MODEL PU2A0069 & 2A0081
 TERMINAL AND WIRING DETAILS (SCALE 1:4)



TERMINAL AND WIRE SPECIFICATIONS FOR
 MAIN CIRCUIT AND GROUND

MODEL # CIMR-PU	TERMINAL SYMBOL	TERMINAL SCREW	CLAMPING TORQUE lb.in.(N.m.)	WIRE RANGE AWG(mm ²)
2A0069	R/L1, S/L2, T/L3, U/T1, V/T2, W/T3, ⊖, ⊕1, ⊕2,	M8	79.7 TO 97.4 (9 TO 11)	4-3 (25-30)
	B1, B2	M5	17.7 TO 22.1 (2 TO 2.5)	8-6 (10-16)
	⊕	M6	35.4 TO 53.1 (4 TO 6)	6-4 (16-25)
2A0081	R/L1, S/L2, T/L3, U/T1, V/T2, W/T3, ⊖, ⊕1, ⊕2,	M8	79.7 TO 97.4 (9 TO 11)	3-2 (30-35)
	B1, B2	M5	17.7 TO 22.1 (2 TO 2.5)	6 (16)
	⊕	M6	35.4 TO 53.1 (4 TO 6)	6-4 (16-25)

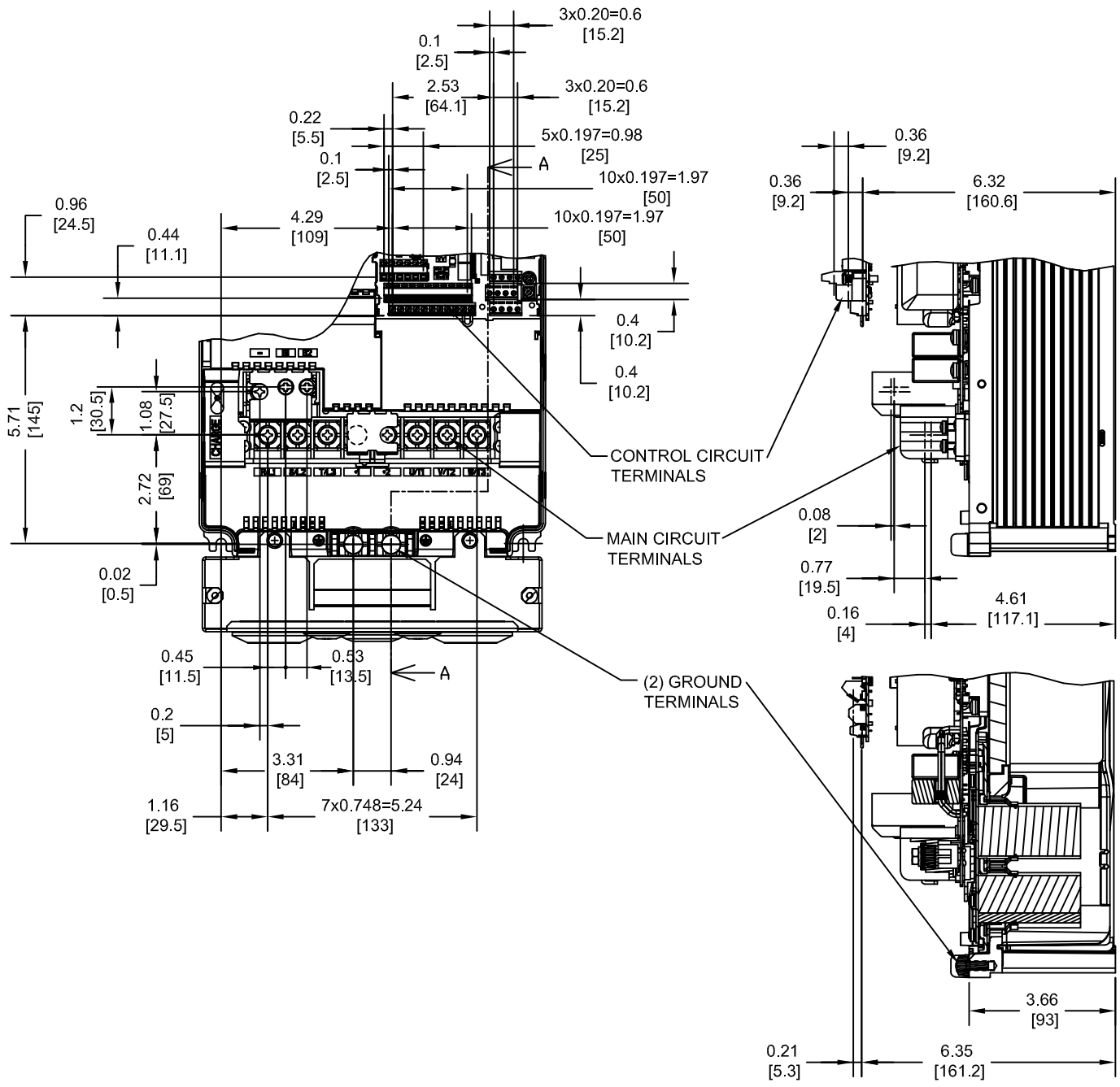
NOTE: REFER TO APPLICABLE CODES FOR PROPER WIRE TYPE AND SIZE

SECTION A-A

FOR ADDITIONAL DETAILS AND SPECIFICATIONS, CONSULT MANUAL

TOLERANCES / REFERENCES:			DRAWN: J. MATTAS	DATE: 12-9-11	TITLE: P1000 DIMENSION DRAWING FRAME SIZE 6 NEMA TYPE 1 ENCLOSURE 2A0069, 2A0081, 4A0044, 5A0027, 5A0032
UNITS: IN [mm]	SCALE: BY VIEW		CHECKED: J. PIOTROWSKI	DATE: 1-5-12	
THIS DOCUMENT AND INFORMATION CONTAINED IN IT ARE CONFIDENTIAL, AND CANNOT BE COPIED OR DISCLOSED IN WHOLE OR IN PART WITHOUT THE EXPRESS WRITTEN CONSENT OF YASKAWA AMERICA, INC.		TECH: J. BORJA	DATE: 1-9-12	SIZE: A	REVISION: R00
		APPROVED: J. CAIRO	DATE: 1-10-12	ORIGINAL DESIGN: -	DATE: -
DRAWING #: DD.P1K.FR6.N1					

MODELS PU4A0044, 5A0027 & 5A0032
 TERMINAL AND WIRING DETAILS (SCALE 1:4)



TERMINAL AND WIRE SPECIFICATIONS FOR
 MAIN CIRCUIT AND GROUND

SECTION A-A

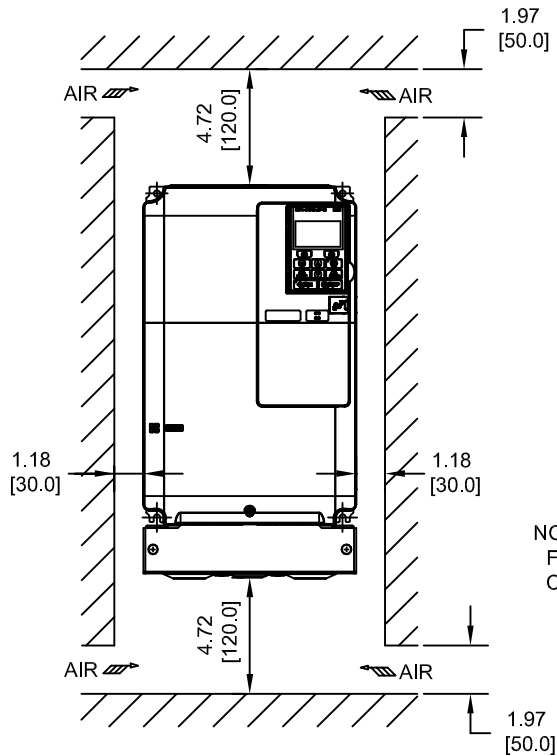
MODEL # CIMR-PU	TERMINAL SYMBOL	TERMINAL SCREW	CLAMPING TORQUE lb.in.(N.m.)	WIRE RANGE AWG(mm ²)
4A0044 5A0027 5A0032	R/L1, S/L2, T/L3, U/T1, V/T2, W/T3, ⊖, ⊕1, ⊕2,	M6	35.4 TO 53.1 (4 TO 6)	6-4 (16-25)
	B1, B2	M5	17.7 TO 22.1 (2 TO 2.5)	10-8 (6.0-10)
	⊕	M6	35.4 TO 53.1 (4 TO 6)	8-6 (10-16)

NOTE: REFER TO APPLICABLE CODES FOR PROPER WIRE TYPE AND SIZE

FOR ADDITIONAL DETAILS AND SPECIFICATIONS, CONSULT MANUAL

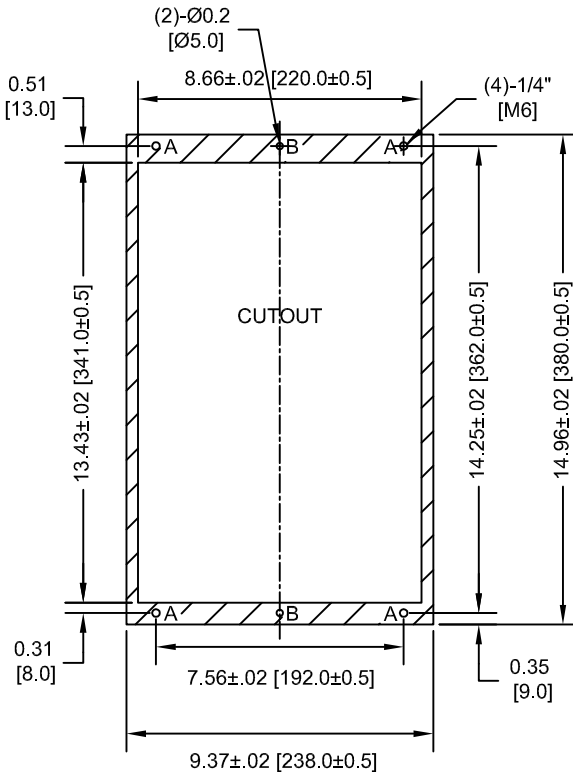
TOLERANCES / REFERENCES:			DRAWN: J. MATTAS DATE: 12-9-11	TITLE: P1000 DIMENSION DRAWING FRAME SIZE 6 NEMA TYPE 1 ENCLOSURE 2A0069, 2A0081, 4A0044, 5A0027, 5A0032
UNITS: IN [mm]	SCALE: BY VIEW		CHECKED: J. PIOTROWSKI DATE: 1-5-12	REVISION SIZE: A REVISION: R00 PAGE: 3 of 4
THIS DOCUMENT AND INFORMATION CONTAINED IN IT ARE CONFIDENTIAL, AND CANNOT BE COPIED OR DISCLOSED IN WHOLE OR IN PART WITHOUT THE EXPRESS WRITTEN CONSENT OF YASKAWA AMERICA, INC.		TECH: J. BORJA DATE: 1-9-12	APPROVED: J. CAIRO DATE: 1-10-12	DRAWING #: DD.P1K.FR6.N1
		ORIGINAL DESIGN: -	DATE: -	

MINIMUM INSTALLATION CLEARANCES (SCALE 1:8)



NOTE:
FOR SIDE-BY-SIDE MOUNTING
CONSULT MANUAL

PANEL CUTOUT FOR EXTERNAL HEATSINK
MOUNTING CONFIGURATION (SCALE 1:6)



NOTES:

- EXTERNAL HEATSINK CONFIGURATION REQUIRES MOUNTING KIT
- EXPOSED HEATSINK RECOMMENDED CLEARANCE D=3.35" MINUS PANEL THICKNESS

FOR ADDITIONAL DETAILS AND SPECIFICATIONS, CONSULT MANUAL

TOLERANCES / REFERENCES:			DRAWN: J. MATTAS DATE: 12-9-11	TITLE: P1000 DIMENSION DRAWING FRAME SIZE 6 NEMA TYPE 1 ENCLOSURE 2A0069, 2A0081, 4A0044, 5A0027, 5A0032		
UNITS: IN [mm]			CHECKED: J. PIOTROWSKI DATE: 1-5-12	SIZE A	REVISION R00	PAGE 4 of 4
SCALE: BY VIEW		THIS DOCUMENT AND INFORMATION CONTAINED IN IT ARE CONFIDENTIAL, AND CANNOT BE COPIED OR DISCLOSED IN WHOLE OR IN PART WITHOUT THE EXPRESS WRITTEN CONSENT OF YASKAWA AMERICA, INC.	TECH: J. BORJA DATE: 1-9-12	DRAWING #: DD.P1K.FR6.N1		
		APPROVED: J. CAIRO DATE: 1-10-12	ORIGINAL DESIGN: -			